

# DW DOOR FABRICATION PLANT | DOOR UNITS

LOCAL: 972.228.5326 • WATS: 1.800.655.8513 • FAX: 1.877.367.1438

Customer Name: \_\_\_\_\_  
 Address/City: \_\_\_\_\_  
 P.O.#: \_\_\_\_\_  
 Contact: \_\_\_\_\_

Date: \_\_\_\_\_  
 ETA: \_\_\_\_\_  
 Phone#: \_\_\_\_\_  
 Fax#: \_\_\_\_\_

**ORDER**       **QUOTE**

Page \_\_\_\_\_ of \_\_\_\_\_  
 Customer Email: \_\_\_\_\_  
 DW CSR Contact: \_\_\_\_\_

Qty	Size/Thick	Int/Ext	Door Description	Swing	In/Out	Bore	Jamb Width	Grade	Hinges	Sill	Trim	Special Instructions	Price

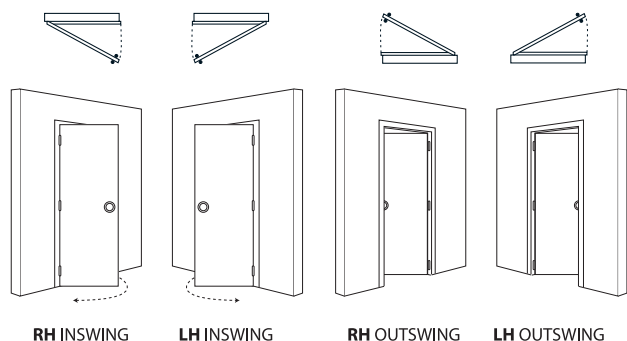
**ORDER POLICY:** Please read your confirmation and **notify us immediately** of any changes or modifications. Changes or modifications must be communicated **by 9 a.m.** the day following the day of the "order date" listed at the top of the confirmation, otherwise it will be produced to your specifications and will be **non-returnable**.

**Signature:** \_\_\_\_\_

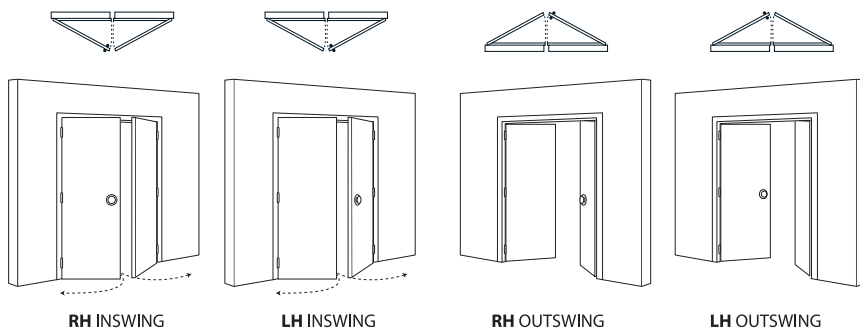
Standard interior unit specifications include 4-5/8" FJ jambs, single bore with 2-3/8" backsets, 3-1/2" US2D hinges and 1-1/8" L8540 R2E FJ stop.  
 Standard exterior unit specifications include 4-5/8" paint grade frame, adjustable mill finish sill, 4" US2D hinges, double bore with 2-3/8" backset and Q-Lon weatherstripping.

CE 02/2009

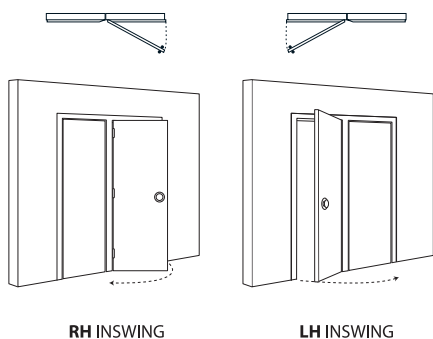
## Door Unit Swings



**Single Doors**



**Double Doors**  
Both Doors Operate • Jamb Hinged



**Patio Door Unit**  
1 Door Fixed/1 Door Operates • Center Hinged • Also available as Jamb Hinged

## Common Terms and Abbreviations:

**HC:** Hollow Core  
**SC:** Solid Core

**SB:** Single Bore  
**DB:** Double Bore  
**NB:** No Bore

**FJ:** Finger Jointed  
**KP:** Knotty Pine (Interior Only)  
**KA:** Knotty Alder  
**AWP:** A Grade White Pine  
**VP:** Veneer Pine

**SBFT:** Single Bore from Top  
**SBFB:** Single Bore from Bottom

**TAST:** T-Astragal (Used for Twin Units)  
**TWIN:** Both Doors Operate  
(One Primary - One Secondary)

**PATIO:** One Door Operates - One Door Fixed

**Primary:** Active Door with Bore  
**Secondary:** Inactive Door with T-Astragal,  
Head and Foot Bolts

**Hinge Finish Key**  
**US2D:** (2D) Satin/Dull Brass  
a.k.a. Zinc Dichromate  
**US3:** Bright Brass  
**US26D:** (26D) Satin/Brushed Chrome  
**US10B:** (10B) Oil Rubbed Bronze  
**US15:** Satin/Brushed Nickel  
**US15A:** (15A) Antique Nickel  
**US32D:** (32D) Stainless Steel

**Sill/Threshold Key**  
**MILL ADJ:** Mill Finish Adjustable  
**BRZ ADJ:** Bronze Finish Adjustable  
**BRASS ADJ:** Brass Finish Adjustable Sill  
**MILL BUMP:** Mill Finish Bumper Sill (Outswing)  
**BRZ BUMP:** Bronze Finish Bumper Sill (Outswing)  
**ADA:** Handicap Sill  
**NONE:** No Sill  
**F4S:** Frame 4 Sides  
(Surround Door with Frame Material)

**Handing and Swing Key**  
**LH or L:** Left Hand  
**RH or R:** Right Hand  
**IS or IN:** Inswing  
(Door Swings to the Inside of the house)  
**OS or OUT:** Outswing  
(Door Swings to the Outside of the house)  
**FIX:** Fixed (Door does not move)

## Delivery Policy:

Please carefully inspect each unit we deliver to your store. Once a delivery has been signed for, there will be no returns. If we ship a damaged or incorrect unit, please leave the unit on our truck and contact our office immediately. We appreciate your business!

## Door Unit Specifications:

Standard **interior** unit specifications include 4-5/8" FJ jambs, single bore with 2-3/8" backsets, 3-1/2" US2D hinges and 1-1/8" L8540 R2E FJ stop. Standard **exterior** unit specifications include 4-5/8" paint grade frame, adjustable mill finish sill, 4" US2D hinges, double bore with 2-3/8" backset and Q-Lon weatherstripping.

**DW** DOOR FABRICATION PLANT | DOOR UNITS

Local: 972.228.5326 • Wats: 1.800.655.8513 • Fax: 1.877.367.1438